

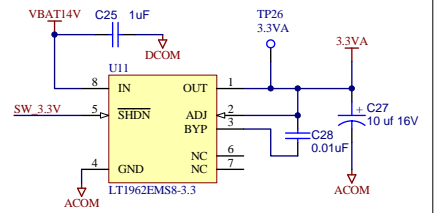
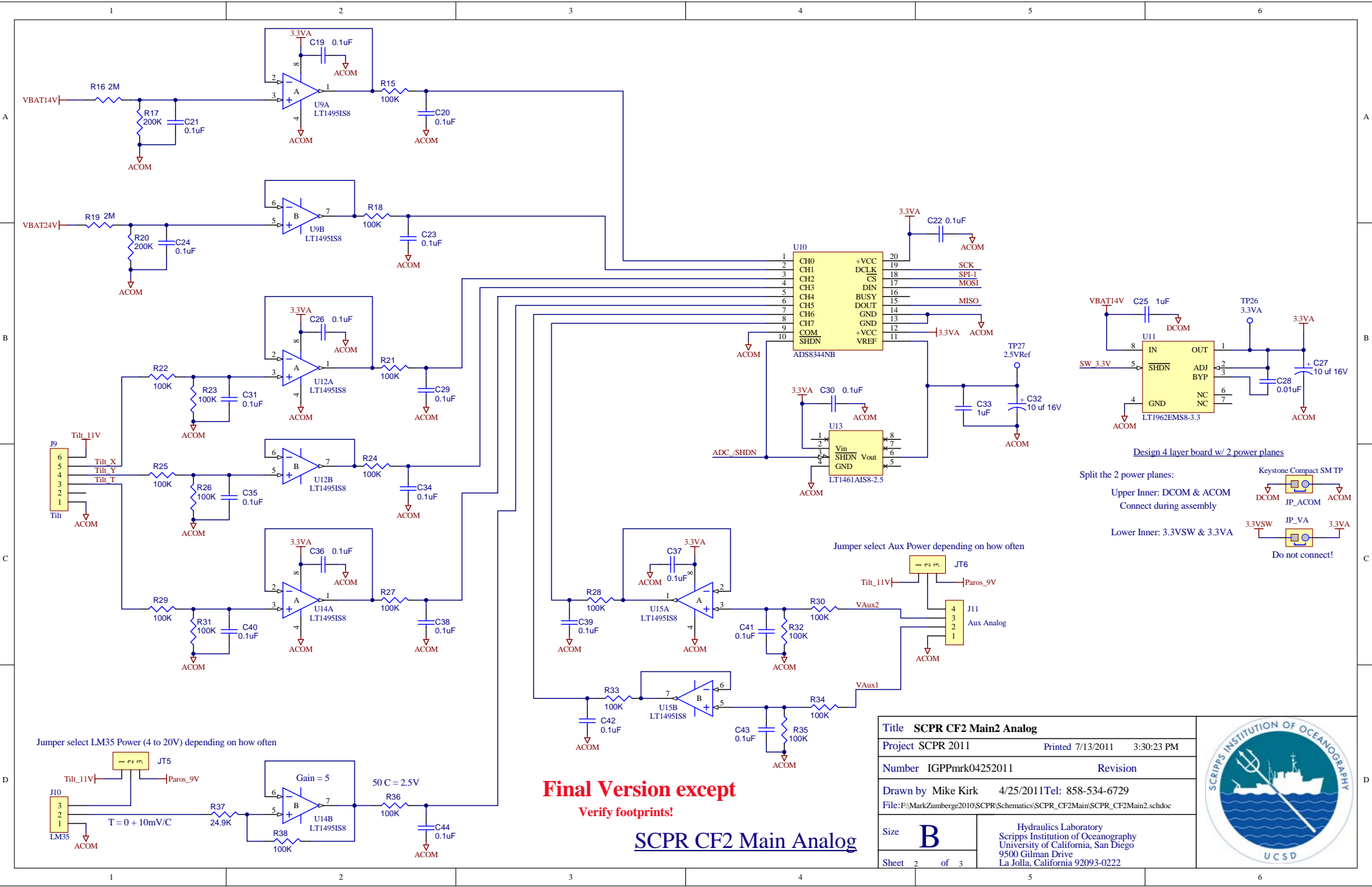
Silkscreen:
 [] SCPR CF2 Main
 [] P/N IGPPrk04252011
 A white square to write the board # on

Place a DCOM test point near each board corner

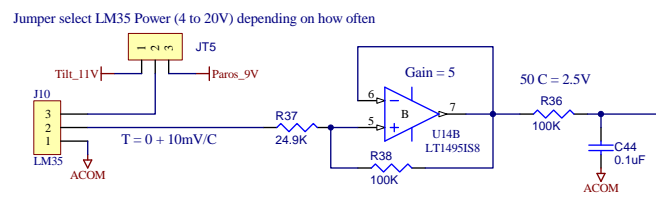
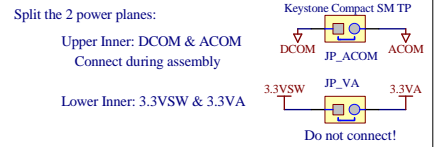
Final Version except
Verify footprints!
SCPR CF2 Main Digital

Title SCPR Main1 CF2 Control	
Project SCPR 2011	Printed 7/13/2011 3:30:23 PM
Number IGPPrk04252011	Revision
Drawn by Mike Kirk 4/25/2011 Tel: 858-534-6729	
File: F:\MarkZumberge\2010\SCPR\Schematics\SCPR_CF2Main\SCPR_CF2Main1.schdoc	
Size B	Hydraulics Laboratory Scripps Institution of Oceanography University of California, San Diego 9500 Gilman Drive La Jolla, California 92093-0222
Sheet 1 of 3	





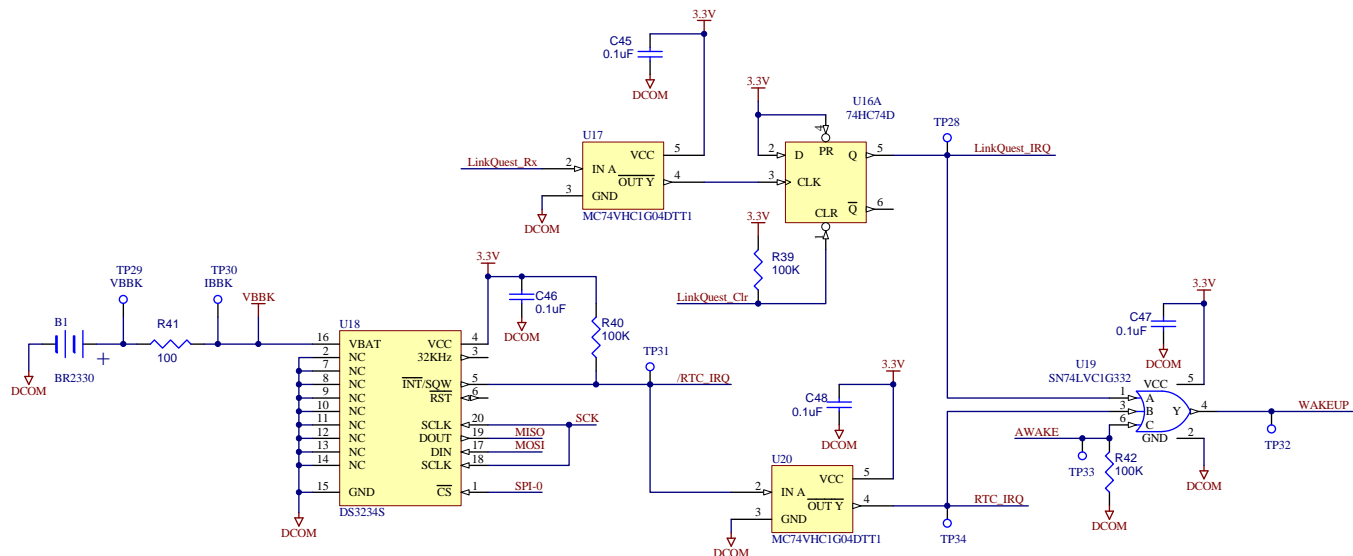
Design 4 layer board w/ 2 power planes



Final Version except
Verify footprints!
SCPR CF2 Main Analog

Title SCPR CF2 Main2 Analog	
Project SCPR 2011	Printed 7/13/2011 3:30:23 PM
Number IGPPmrk04252011	Revision
Drawn by Mike Kirk	4/25/2011 Tel: 858-534-6729
File:F:\MarkZumberge\2010\SCPR\Schematics\SCPR_CF2Main\SCPR_CF2Main2.schdoc	
Size B	Hydraulics Laboratory Scripps Institution of Oceanography University of California, San Diego 9500 Gilman Drive La Jolla, California 92093-0222
Sheet 2 of 3	





Deep Shut Down Mode

All power shut down except minimal stay alive circuit, approx. 10 uA

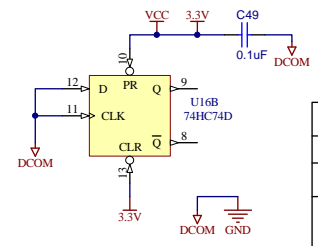
3.3V power always on for RTC & associated start up

3.3VSW
switched 3.3V that can be shut down by CF2 control
Jumper select, override so no power down
power up via OR gate by 1 of:
RTC interrupt (1 hour, 1 day, multiple days)
LinkQuest Com Port incoming serial bits
Either case,
CF2 asserts AWAKE = TPU15 before clearing

To shut down:
LinkQuest_Clr = 0
LinkQuest_Clr = 1 (clear Q w/ low pulse)
Verify LinkQuest_Irq = 0
AWAKE = 0 (shut down 3.3V to CF2, etc)

Upon power up:
AWAKE = 1 (want to stay awake)
Read LinkQuest_Irq : 1 = LinkQuest request
0 = RTC IRQ
Clear RTC_IRQ regardless

**Final Version except
Verify footprints!**



SCPR CF2 Main Real Time Clock

Title SCPR CF2 Main3 RTC	
Project SCPR 2011	Printed 7/13/2011 3:30:23 PM
Number IGPPmrk04252011	Revision
Drawn by Mike Kirk	4/25/2011 Tel: 858-534-6729
File: F:\MarkZumberge\2010\SCPR\Schematics\SCPR_CF2Main\SCPR_CF2Main3.schdoc	
Size B	Hydraulics Laboratory Scripps Institution of Oceanography University of California, San Diego 9500 Gilman Drive La Jolla, California 92093-0222
Sheet 3 of 3	

